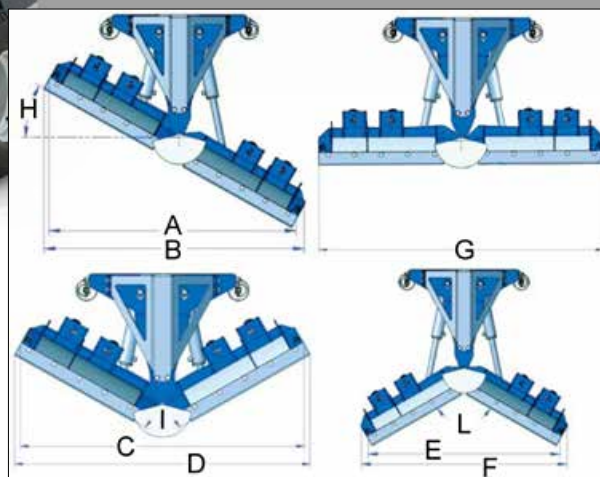
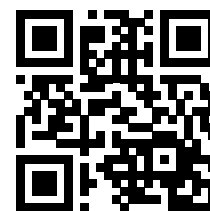


SNOW PLOW

<http://tiny.cc/snowplow1>



FEATURES & BENEFITS

- Rugged professional grade snow plow
- 5 configurations
- Two independently controllable blades: can be adjusted in straight, V or Y position
- Advanced optional floating system allows working on uneven surfaces as well

MultiOne snow plow is a versatile attachment for snow removal. It consists of two independently hydraulically adjustable blades. Angle of the blades is be adjusted from the driver's seat. 5 different blade operating positions:

1) 30° right - 2) 30° left - 3) Straight - 4) Scoop "Y" - 5) V-plow. It is equipped with shock absorbing springs that allow the blade to trip forward when an obstacle is encountered. The optional floating system on the mounting bracket guarantees that the blade follows ground as well as possible. Support legs as standard while the extension wings are optional and increase the blade width.

Note: suggested floating boom valve on machine.

Dimensions (cm/in)										
Model	A	B	C	D	E	F	G	H	I	L
120-126	111 43.5	120 47	121 47.6	126 49.6	100 39.4	113 44.5	127 50	29°	121°	121°
150-170	147 57.7	153 60.2	157 61.8	157 61.8	136 53.5	149 58.7	169 66.3	29°	121°	121°
200-230	198 78	207 81.3	207 81.3	213 83.7	190 74.8	200 78.7	229 90	29°	121°	121°



C891320



C891326

Model	Blades Width	Blades height	Slewing angle	Weight	Code
120-126	120-126 cm (47.2-49.6 in)	75 cm (29.5 in)	±30°	320 kg (705 lbs)	C891301
150-170	150-170 cm (59-67 in)	75 cm (29.5 in)	±30°	350 kg (772 lbs)	C891302
200-230	200-230 cm (78.7-90.5 in)	75 cm (29.5 in)	±30°	420 kg (926 lbs)	C891310
Options					Code
Floating Adapter for Snow Plow					C891320
Extension Wings 25 + 25 cm (9.8 + 9.8 in) only for C891301 and C891302					C891326

Compatibility	1.1	2.3	4.2	5.2	5.3	6.3	7.2	8.4	8.5	11.6	11.9	EZ5	EZ7 EZ8
Model													
120-126													
150-170													
200-230													

Very compatible
 Compatible
 Not compatible

